



SNOW WOLF

SW-M6

Automatic Electric Airsoft Gun

FOR AGES 18 YEARS AND UP

M6-01



M6-02



WARNING

- FOR AGE 18 YEARS OR ABOVE.
- PLEASE READ THE INSTRUCTION CAREFULLY BEFORE USAGE. MISUSE OR CARELESS USAGE MAY CAUSE SERIOUS INJURY.
- USER SHOULD OBEY TO ALL LAWS REGARDING THE USAGE AND OWNERSHIP OF GAS GUNS.
- FACIAL PROTECTION IS REQUIRED.

MADE IN CHINA

HANDLING CAUTIONS AND INSTRUCTION MANUAL



ATTENTION (INSTRUCTION) PLEASE READ IT BEFORE USE IT.

It is for your to enjoy the fun of shoot that this soft ballistic gun is made. Various kinds of guns have their own features, So you should have sound comprehension before you enjoy the fun of safe shooting. The BB bullets can flight a distance Of 20-30m. If it is not properly used, there would be some risk. So you have to read the instructions carefully before using it, And strictly follow them while using it, and then, you can enjoy the fun of shooting.

ATTENTION Please pay attention: you would probably be hurt because of carelessness or shooting mistake.

ATTENTION MAKE SURE TO WEAR PROTECTION GLASSES TO PROTECT YOUR EYES.



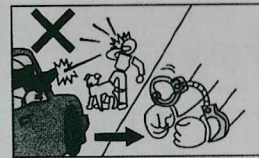
Make sure to wear protection glasses while shooting BB bullets or playing game. And the BB Bullet will go back once it hits hard object. (attention please don't point to people.)

ATTENTION DON'T POINT TO PEOPLE AND ANIMALS.



Please don't train the soft ballistic gun on people or animals. Please cover the muzzle with the safe lid, if you are not shooting.

ATTENTION YOU WILL BE PUNISHED IF YOU SHOOT MISCHIEVOUSLY.



Those who shoot mischievously or train the gun on people or animals will probably be punished by law.

ATTENTION DON'T LOOK CLOSE TO THE MUZZLE AT ANY TIME.



Your eyes will be hurt if the BB bullets shoots your eyes by chance, it is very dangerous. So don't look close to the muzzle at any time.

ATTENTION THE MUZZLE SHOULD BE DIRECTED AT THE SAFE DIRECTION.



The muzzle should not train on people or animals or any where that would cause danger. Please cover the lid except shooting.

ATTENTION THE SAFE LID SHOULD COVER THE MUZZLE.



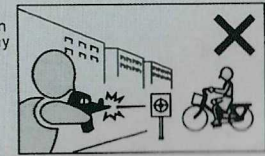
Please cover the muzzle with the safe lid, so that the BB bullets won't be shot randomly.

ATTENTION DON'T SHOOT CASUALLY.



Shoot casually will cause great danger, so please shoot before you take away the lid, and aim at the object.

ATTENTION DON'T SHOOT WHERE THERE ARE PEOPLE OR TRANSPORTATION.



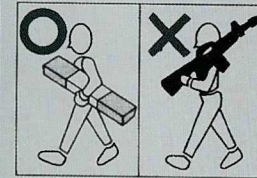
The soft ballistic shooting place should be in the safe arena, those places where there are people or transportation are not allowed to shoot.

■ YOU HAVE TO READ THE INSTRUCTION CAREFULLY BEFORE USING IT BECAUSE THE OPERATION IS DIFFERENT FROM THE NORMAL GUN.

■ THOSE INCIDENT, DANGER, HURT, REPAIR CAUSED BY THE WRONG WAY OF OPERATION, RE ADJUSTMENT, DISMANTLE ARE CLAIMED TO BE THE RESPONSIBILITY.

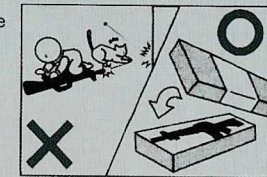
Always read through this manual before operation

ATTENTION PLEASE PUT IT IN A BAG OR BOX WHILE CARRYING IT.



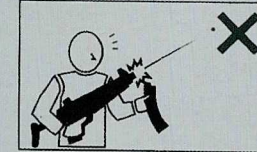
While carrying the soft ballistic gun, make sure the muzzle is tightly covered by the lid, and should be put in the bag or box.

ATTENTION KEEP IT OUT OF THE TOUCH OF THE LITTLE KIDS.



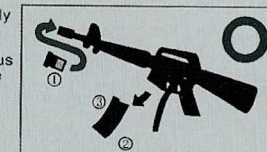
Please put it in the bag or box with the safe lid covered while not using it. And make sure to keep it out of the touch of kids that below 10.

ATTENTION YOU CAN CONDUCT BB BALLETS EVEN THOUGH THE BALLISTIC BOX.



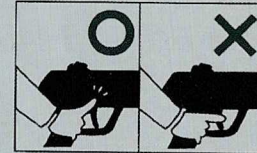
The BB bullets may probably leave in the gun body even you take away the ballistic box, which is very dangerous. So please cover the muzzle with the safe lid after taking away the ballistic box.

ATTENTION PLEASE COVER IT WITH STICKY PAPER.



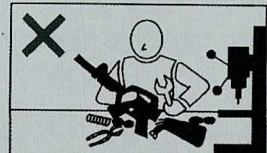
Cover the muzzle with the safe lid. Attach the sticky paper to anywhere that is possible to conduct shooting. Please take away the ballistic box.

ATTENTION DON'T PULL THE TRIGGER EXPECT YOU WANT TO SHOOT.



Don't pull the trigger except you want to shoot. It is very danger if pull trigger because of spring.

ATTENTION DON'T DISMANTLE THE GUN BODY.

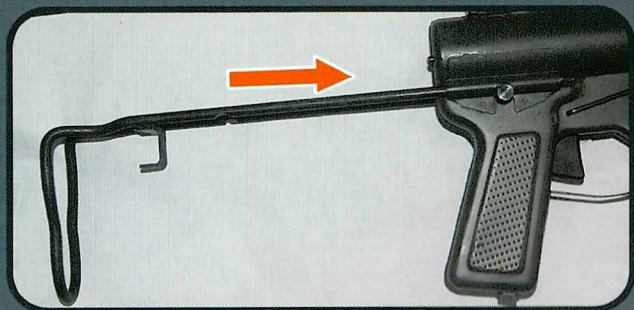


The dismantlement of the gun body would easily cause trouble, incident, which is really dangerous. So please don't dismantle the gun body.

ATTENTION

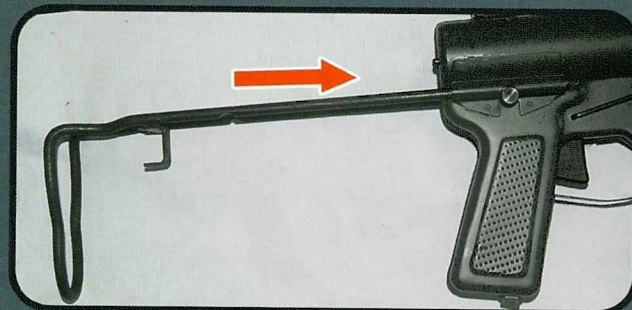
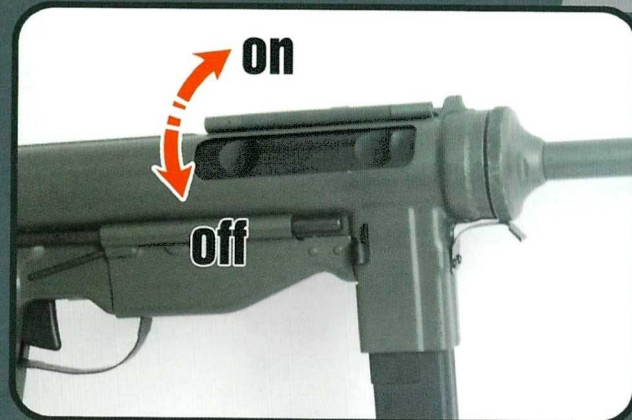
- THIS SOFT BALLISTIC GUN IS INSTALLED WITH 6MM BB BALLETS WHICH CAN SHOOT IN A DISTANCE OF 20-30M. WHILE USING THIS GUN, YOU HAVE TO CONCERN ALL KINDS OF RISKS, MAKE SURE TO USE IT IN A ABSOLUTE SAFE CONDITION.
- WHILE PLAYING GAMES, PLEASE MAKE SURE THE SAFE CONDITION WHERE THE BB BALLETS MAY POSSIBLY REACH. MAKE SURE THE SECURITY OF THAT THOSE WHO DON'T WEAR PROTECTION GLASSES OR THE SPECTATORS.
- THE MUZZLE SHOULD NOT BE DIRECTED AT GLASS, BULB, FLUORESCENT LAMP, OR HOUSE MACHINE, TEA SET, OR PLATE, FURNITURE, GAS BOTTLE ETC. BECAUSE OF THE DANGER CAUSE BY BROKEN.
- EXCEPT BB BALLETS, NOTHING CAN BE PUT INTO BALLISTIC BOX AND SHOOTING MACHINE.
- THE FINGER CAN INSERT INTO CERTAIN SPOT ACCORDING TO THE SHAPE OF GUN, BUT PLEASE DON'T PUT YOUR FINGER INTO THE GAP OF THE GUN BODY.
- MAKE SURE THE GUN IS PLACE IN THOSE PLACE WHERE IS NOT EASY TO FALL, AND SHOULD BE OUT OF THE REACH OF THE KIDS BELOW 10. WHAT'S MORE, IN ORDER TO PREVENT THE NAUGHTY KIDS, THE MUZZLE SHOULD BE COVERED WITH SAFE LID, AND SHOULD BE PUT IN BAG OR BOX.
- WHEN YOU FOLLOW THE RIGHT WAYS (ACCORDING TO THE INSTRUCTION), BUT STILL CAN SHOOT BB BALLETS, OR WHEN YOU CAN'T REPAIR BECAUSE OF THE BREAKDOWN CAUSED BY THE GETTING OLD, OR THE FALL DOWN CAUSED BY THE WRONG OPERATION, PLEASE SEND TO THE STORE WHERE YOU GET IT OR MAIL IT TO HAVE IT REPAIRED.
- IF YOU OPERATE PROPERLY, IT CAN CONDUCT 1000 ROUNDS OF BALLETS, AND THE ACCESSORIES CAN BE REPLACED. IF YOU CAN'T DO IT, THAT MEANS THERE IS SOMETHING WRONG IN IT. PLEASE SEND IT TO THE STORE WHERE YOU GET IT OR MAIL IT TO HAVE IT EXAMINED OR CHANGE THE PARTS.

M6-01

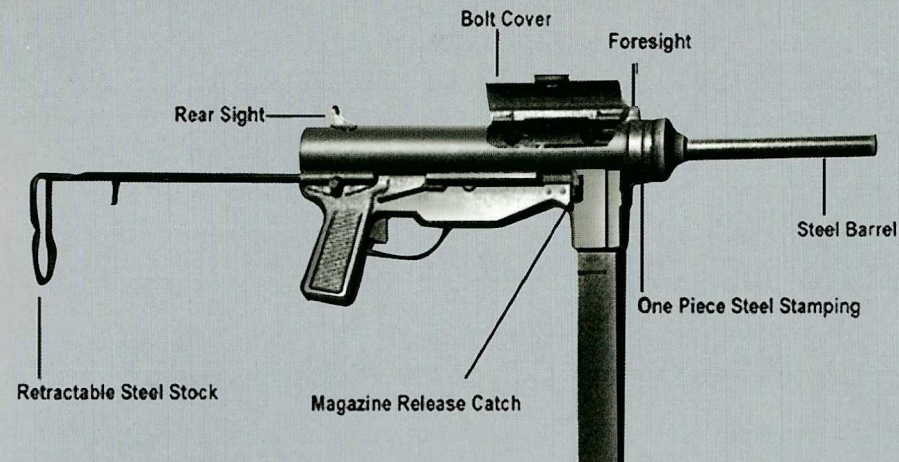
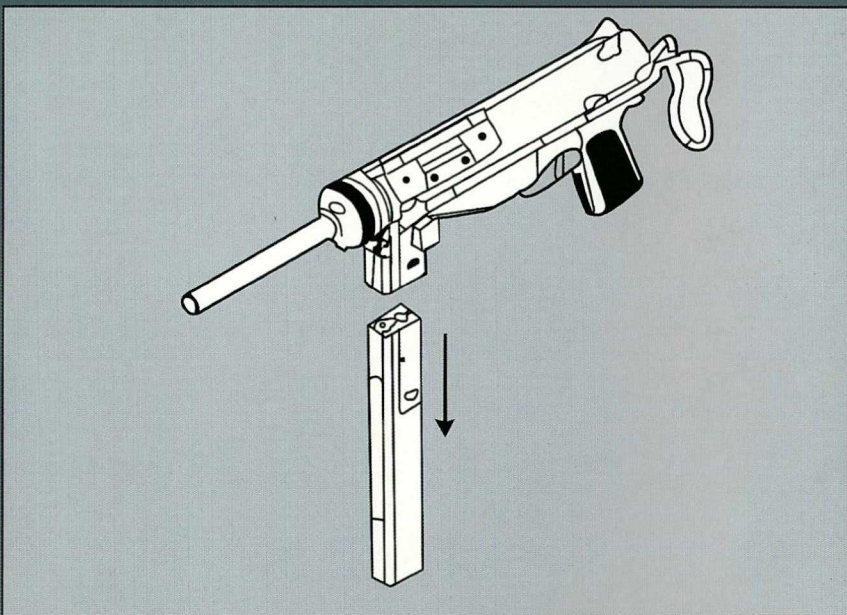
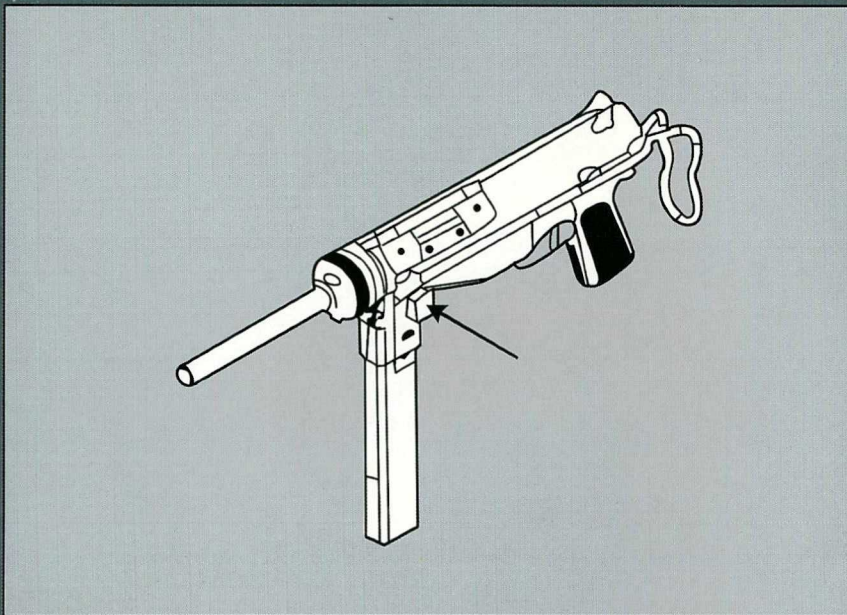


3

M6-02



4

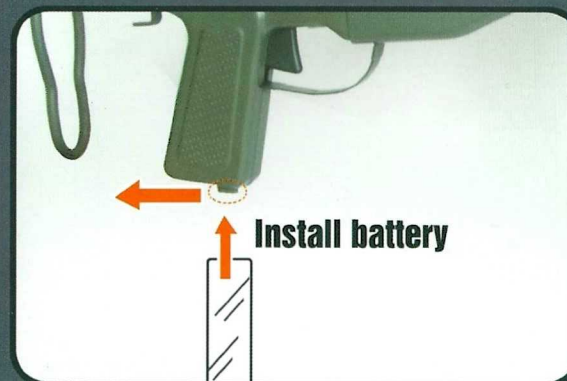


FEATURES

- Metal Gear Box
- Easy Power Step Up System
- Full Automatic Firing Mode
- One Piece Steel Stamping
- Hinged Ejection Port Flap-Safety
- Genuine Welding
- Battery Fit Inside Magazine
- Fixed Front Sight
- Fixed Rear Aperture Sight

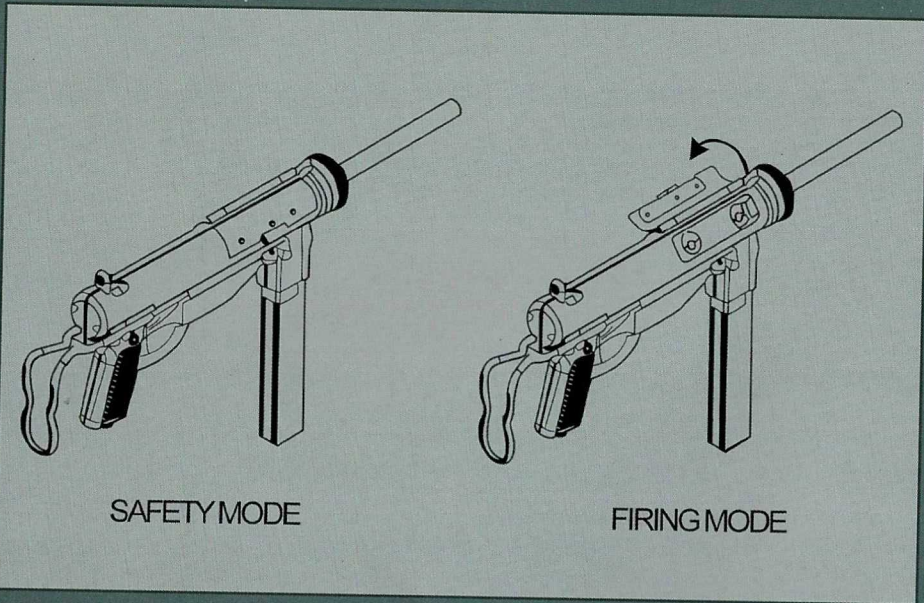
BATTERY:	9.6V 1500mAh Mini (2/3A) Nunchuck
MAGAZINE CAPACITY:	65rds (6mm BB)
MODE:	Full Auto / Safe
MATERIAL:	Steel + Al.Alloy
MOTOR:	High Torque Flat Motor
HOP-UP:	Adjustable
LENGTH:	580 / 750mm
WEIGHT:	4500g
VELOCITY:	344FPS

* This product is over 90% made of Steel. Need to apply anti-rust treatment regularly

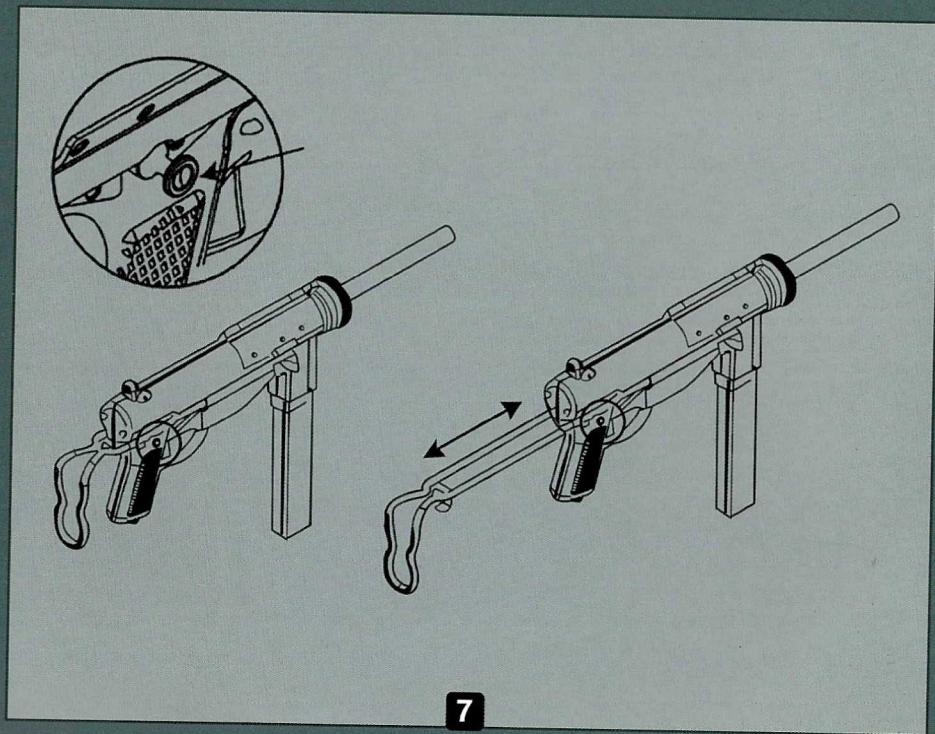


FIRING MODE

Automatic Electric Airsoft Gun

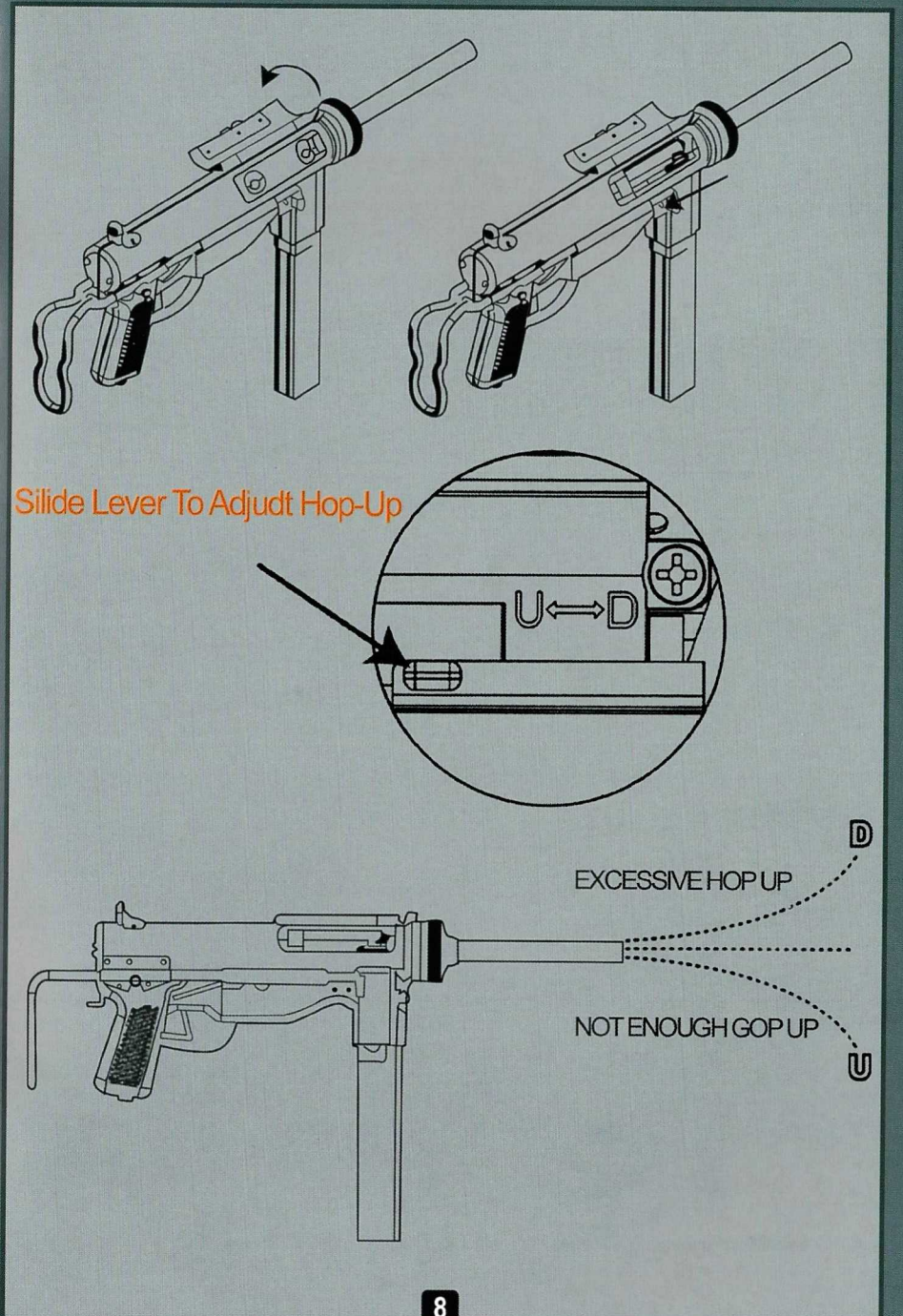


EXTENDABLE STOCK



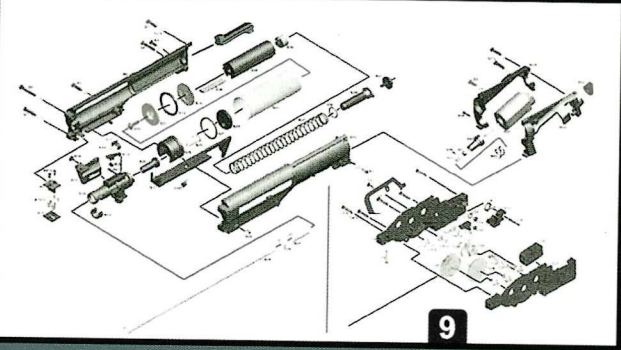
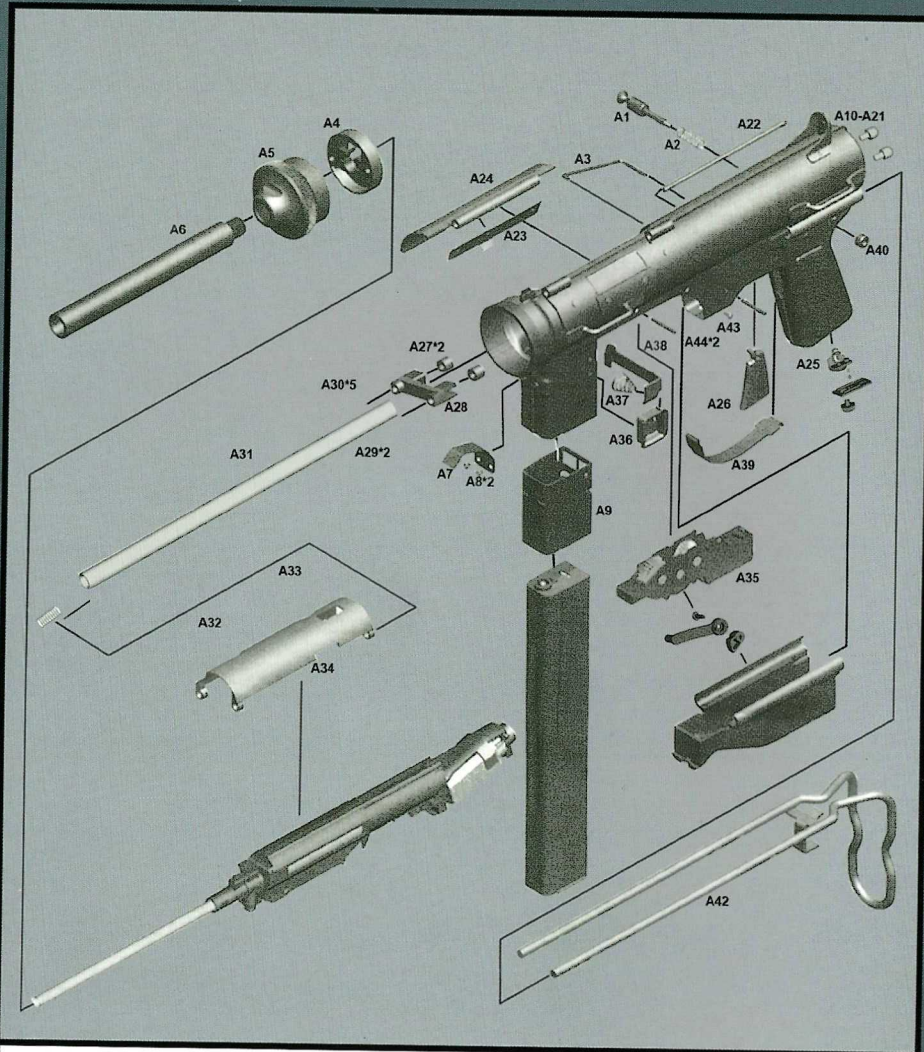
HOP-UP ADJUSTMENT

Automatic Electric Airsoft Gun



M6-1

Automatic Electric Airsoft Gun

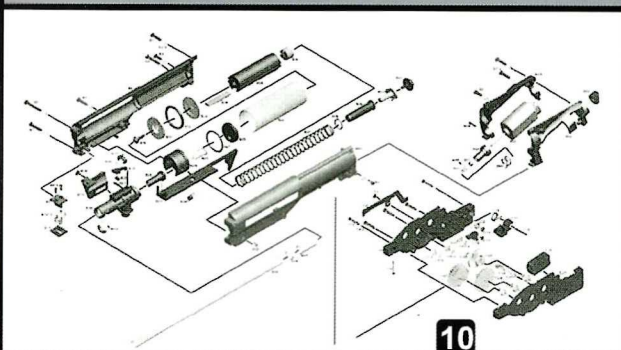
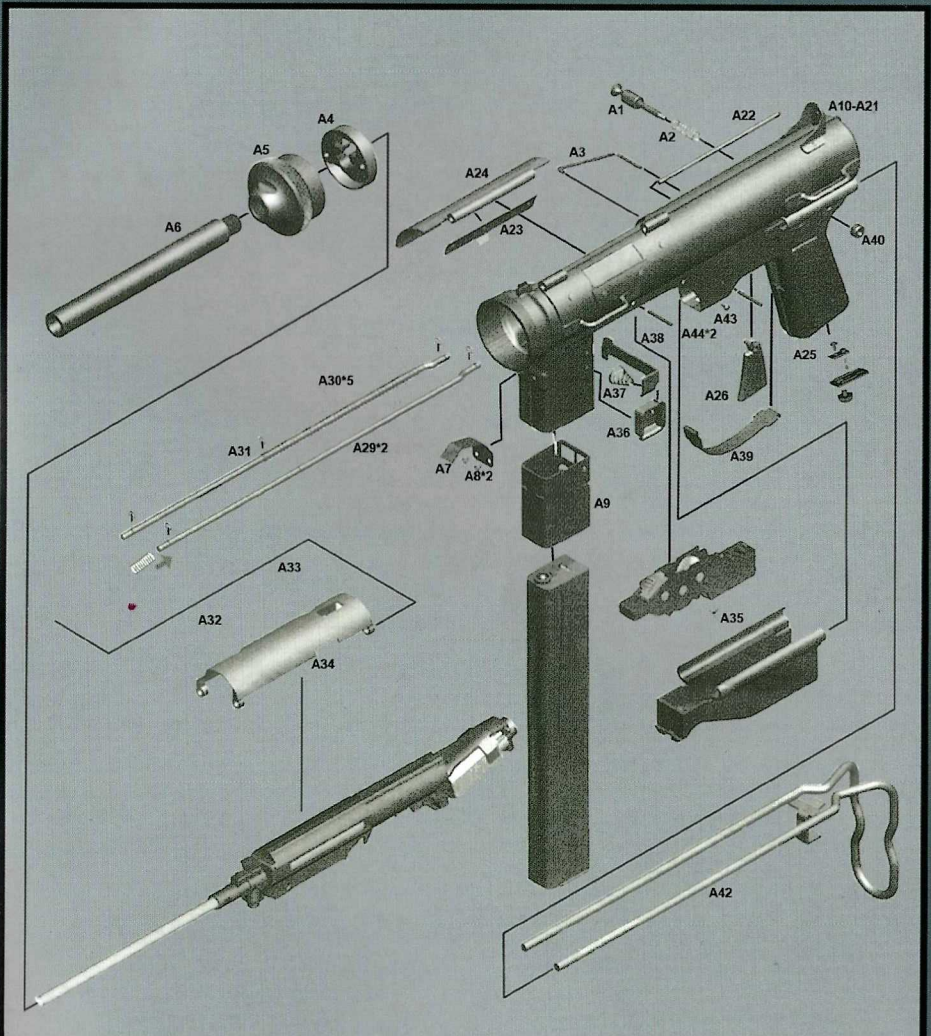


9



M6-2

Automatic Electric Airsoft Gun



10

